



WP26-12B

Specifications

Nominal Voltage (V) 12V

Nominal Capacity

20hour rate (1.3A	to	10.50V)	26Ah
10hour rate (2.6A	to	10.50V)	24.7Ah
5hour rate (4.42A	to	10.20V)	22.1Ah
1C (26A	to	9.60V)	13.87Ah
3C (78A	to	9.60V)	9.10Ah

Weight Approx. 8.1kg(17.82Lbs.)

Internal Resistance (at 1KHz) 9 mΩ

Maximum Discharge Current for 5 seconds : 327A

Operating Temperature Range

Charge	-15°C (5°F) to	40°C (104°F)
Discharge	-15°C (5°F) to	50°C (122°F)
Storage	-15°C (5°F) to	40°C (104°F)

Charge Retention (shelf life) at 20°C (68°F)

1 month	92%
3 month	90%
6 month	80%

Charging Methods at 20°C(68°F)

Cycle use:

Charging Voltage 14.4 to 15.0V
Maximum Charging Current : 7.8A

Standby use :

Float Charging Voltage 13.50 to 13.80V

Life expectancy :

Cycle Use :

100% depth of discharge 200 cycles
80% depth of discharge 225 cycles
50% depth of discharge 500 cycles

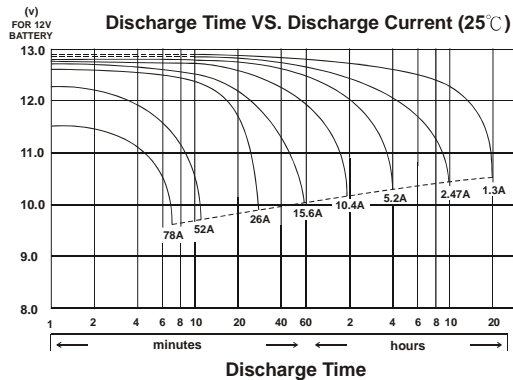
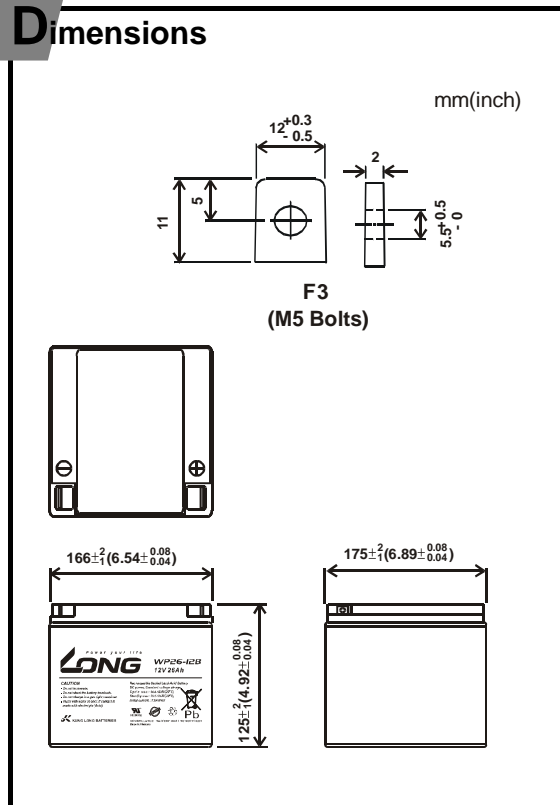
Standby Use : 3-5years

Case Material ABS

(Option : 94-HB & 94V-0 flame retardant case)

Terminal F3

Dimensions





All data on the spec. sheet is an average value:

The tolerance range : $X < 6\text{min}(+15\% \sim -15\%)$, $6\text{min} \leq X < 10\text{min}(+12\% \sim -12\%)$, $10\text{min} \leq X < 60\text{min}(+8\% \sim -8\%)$, $X \geq 60\text{min}(+5\% \sim -5\%)$

PERFORMANCE DATA Discharge Rates in Watts to Various End Voltages at 25°C

End Voltage		11.10V	10.80V	10.50V	10.20V	9.90V	9.60V
Time							
5	min	923	968	1042	1090	1123	1167
10	min	673	697	719	749	792	815
15	min	515	533	561	578	588	608
30	min	297	318	328	333	334	336
60	min	169	176	179	181	182	182
120	min	115	120	122	122	123	123
180	min	70.3	73.1	74.2	74.7	75.2	75.8
240	min	58.3	59.3	59.8	60.3	60.8	61.2
300	min	48.7	50.3	50.9	51.0	51.1	51.3
600	min	28.6	29.5	30.0	30.2	30.3	30.3
1200	min	14.6	14.8	15.0	15.0	15.1	15.1

Discharge Rates in Amperes to Various End Voltages at 25°C

End Voltage		11.10V	10.80V	10.50V	10.20V	9.90V	9.60V
Time							
5	min	80.3	84.2	90.6	94.8	97.7	102
10	min	58.6	60.6	62.5	65.1	68.9	70.8
15	min	44.8	46.3	48.8	50.3	51.1	52.8
30	min	25.8	27.6	28.5	29.0	29.1	29.2
60	min	14.7	15.3	15.6	15.7	15.8	15.8
120	min	10.0	10.4	10.6	10.6	10.7	10.7
180	min	6.11	6.36	6.46	6.50	6.54	6.59
240	min	5.07	5.16	5.20	5.24	5.29	5.32
300	min	4.24	4.38	4.42	4.44	4.45	4.46
600	min	2.48	2.56	2.60	2.62	2.63	2.64
1200	min	1.27	1.29	1.30	1.30	1.31	1.31