



# RECHARGEABLE SEALED LEAD ACID BATTERY

Revision 1.2

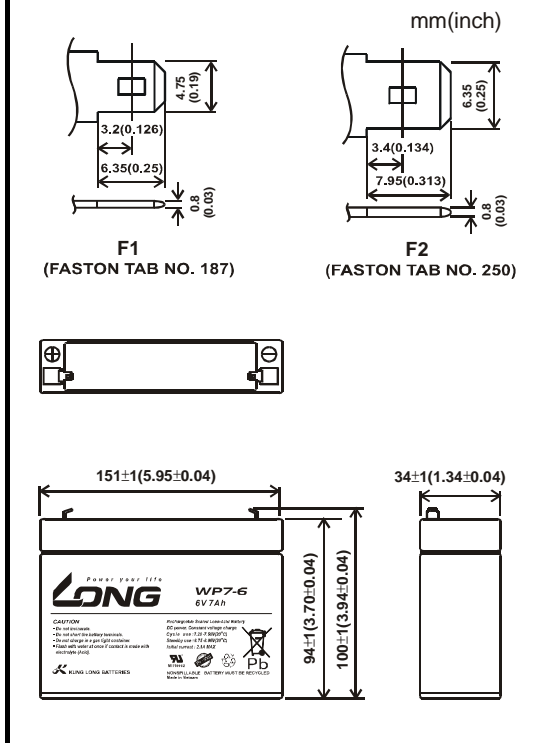


## WP7-6

### Specifications

|                                |         |  |  |
|--------------------------------|---------|--|--|
| <b>Nominal Voltage (V)</b>     | 6V      |  |  |
| <b>Nominal Capacity</b>        |         |  |  |
| 20hour rate ( 0.35A to 5.25V ) | 7Ah     |  |  |
| 10hour rate ( 0.7A to 5.25V )  | 6.65Ah  |  |  |
| 5hour rate ( 1.19A to 5.25V )  | 5.95Ah  |  |  |
| 1C ( 7A to 4.80V )             | 3.967Ah |  |  |
| 3C ( 21A to 4.80V )            | 2.8Ah   |  |  |

### Dimensions



**Weight** Approx.1.24kg(2.728Lbs.)

**Internal Resistance (at 1KHz)** 12 mΩ

**Maximum Discharge Current for 5 seconds :** 135A

**Operating Temperature Range**

|           |                             |
|-----------|-----------------------------|
| Charge    | -15°C (5°F) to 40°C (104°F) |
| Discharge | -15°C (5°F) to 50°C (122°F) |
| Storage   | -15°C (5°F) to 40°C (104°F) |

**Charge Retention (shelf life) at 20°C (68°F)**

|         |     |
|---------|-----|
| 1 month | 92% |
| 3 month | 90% |
| 6 month | 80% |

### Charging Methods at 20°C (68°F)

**Cycle use:**

Charging Voltage 7.20 to 7.50V  
 Maximum Charging Current : 2.1A

**Standby use :**

Float Charging Voltage 6.75 to 6.90V

### Life expectancy :

**Cycle Use :**

100% depth of discharge 200 cycles  
 80% depth of discharge 225 cycles  
 50% depth of discharge 500 cycles

**Standby Use :** 3~5years

**Case Material** ABS

(Option : 94-HB & 94V-0 flame retardant case)

**Terminal**

F1 or F2

